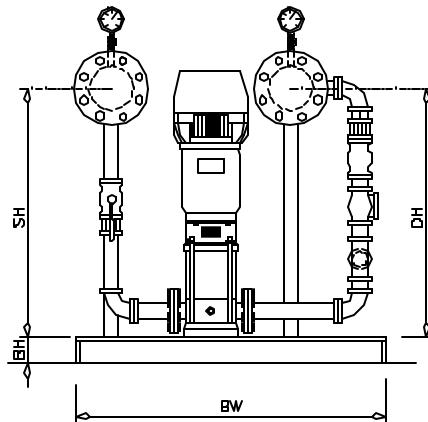
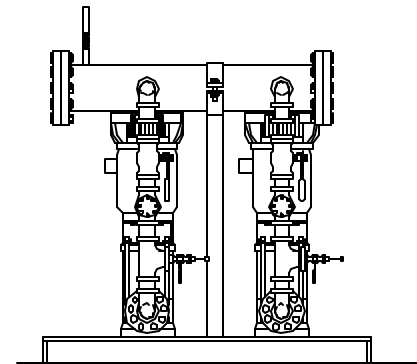


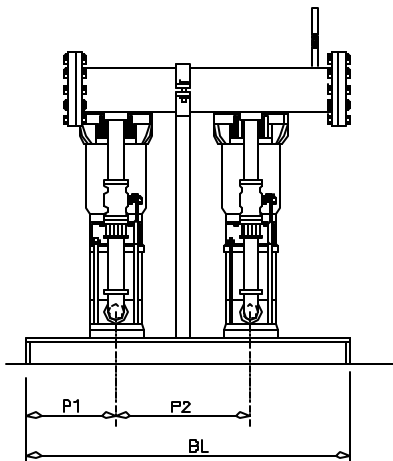
PLAN VIEW



ELEVATION B



ELEVATION C

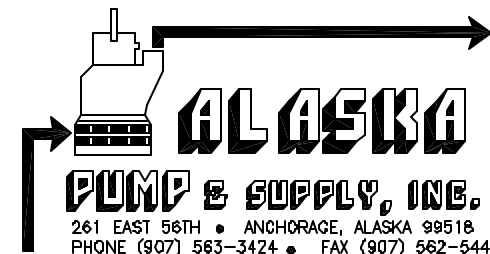


ELEVATION A

SUPPLIER SELECTED DIMENSIONS		
ITEM	DESIGNATION	DIMENSION
SUCTION HEADER HEIGHT	SH	
DISCHARGE HEADER HEIGHT	DH	
PUMP 1 OFFSET	P1	
PUMP 2 OFFSET	P2	
BASE HEIGHT	BH	
BASE WIDTH	BW	
BASE LENGTH	BL	

DUPLEX HEATING CIRCULATION SYSTEM  
PLAN & ELEVATIONS

FILE: HCDT02.WG



MODEL NO:	DATE:
SYSTEM TYPE:	SCALE:
PROJECT NAME:	APPROVED:
DESIGN FLOW:	DRAWN BY:
DESIGN PRESSURE:	REVISION NO: