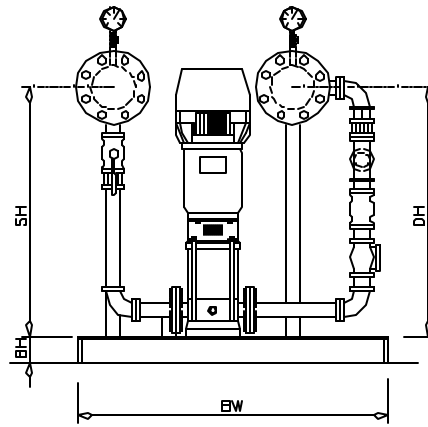
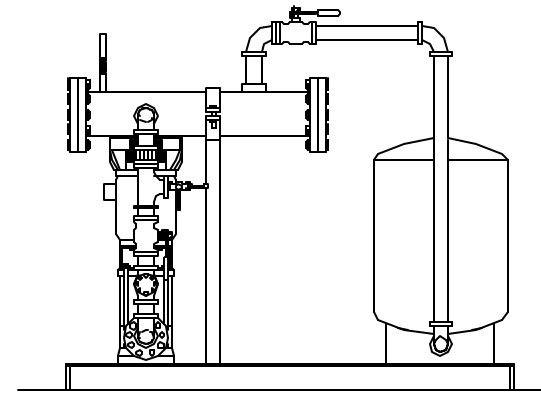


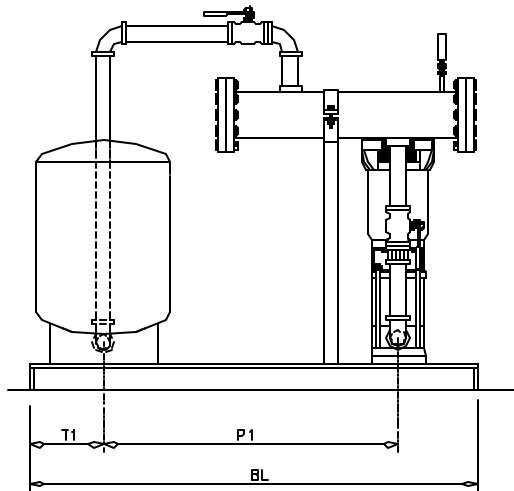
PLAN VIEW



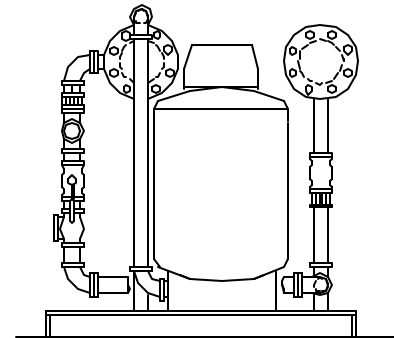
ELEVATION B



ELEVATION D



ELEVATION A



ELEVATION C

SUPPLIER SELECTED DIMENSIONS		
ITEM	DESIGNATION	DIMENSION
SUCTION HEADER HEIGHT	SH	
DISCHARGE HEADER HEIGHT	DH	
PUMP 1 OFFSET	P1	
TANK OFFSET	T1	
BASE HEIGHT	BH	
BASE WIDTH	EW	
BASE LENGTH	BL	

SIMPLEX BOOSTER PUMPING SYSTEM
PLAN & ELEVATIONS

FILE: BP101.DWG

ALASKA
PUMP & SUPPLY, INC.
261 EAST 56TH • ANCHORAGE, ALASKA 99518
PHONE (907) 563-3424 • FAX (907) 562-5449

MODEL NO:	DATE:
SYSTEM TYPE:	SCALE:
PROJECT NAME:	APPROVED:
DESIGN FLOW:	DRAWN BY:
DESIGN PRESSURE:	REVISION NO: