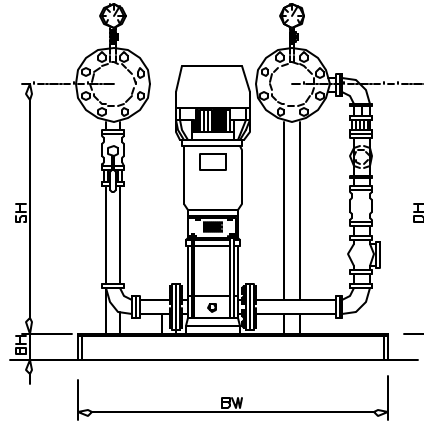
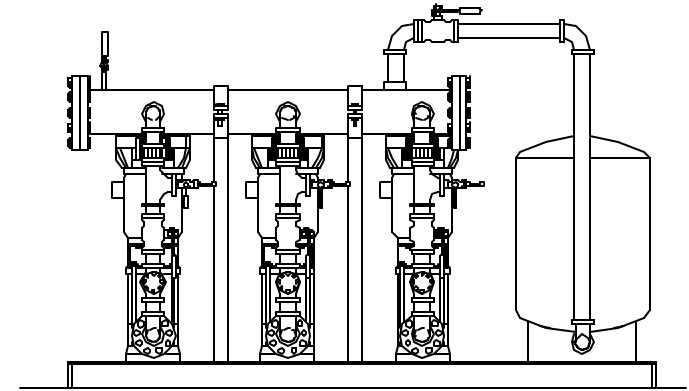


PLAN VIEW

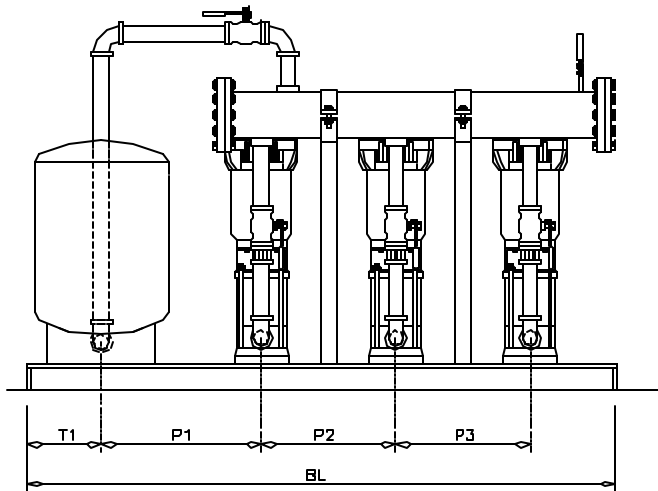


ELEVATION B

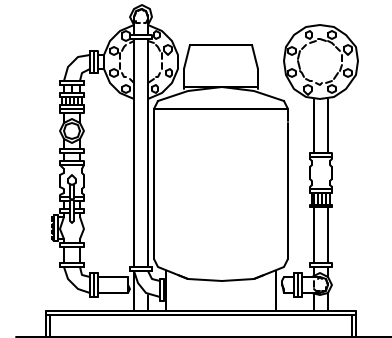


ELEVATION D

SUPPLIER SELECTED DIMENSIONS		
ITEM	DESIGNATION	DIMENSION
SUCTION HEADER HEIGHT	SH	
DISCHARGE HEADER HEIGHT	DH	
PUMP 1 OFFSET	P1	
PUMP 2 OFFSET	P2	
PUMP 3 OFFSET	P3	
TANK OFFSET	T1	
BASE HEIGHT	BH	
BASE WIDTH	BW	
BASE LENGTH	BL	



ELEVATION A



ELEVATION C

TRIPLEX BOOSTER PUMPING SYSTEM
PLAN & ELEVATIONS

FILE: BFD03.DWG

ALASKA
PUMP & SUPPLY, INC.
261 EAST 56TH • ANCHORAGE, ALASKA 99518
PHONE (907) 563-3424 • FAX (907) 562-5449

MODEL NO:	DATE:
SYSTEM TYPE:	SCALE:
PROJECT NAME:	APPROVED:
DESIGN FLOW:	DRAWN BY:
DESIGN PRESSURE:	REVISION NO: